



Z887-24-HD

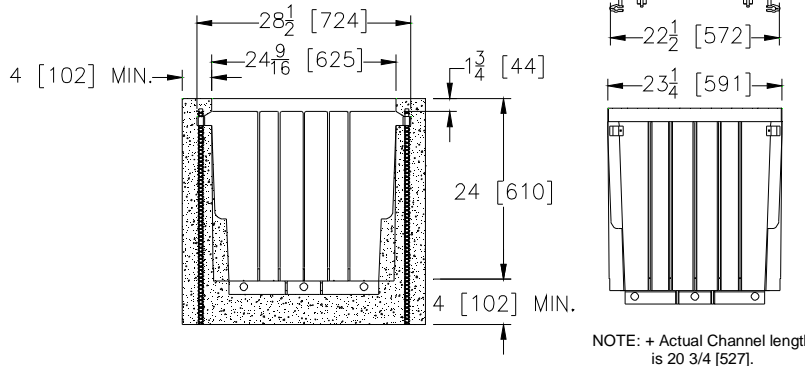
23-1/4 [591] WIDE REVEAL X 24-5/8 [625] LONG CATCH BASIN WITH HEAVY DUTY FRAME

SPECIFICATION SHEET

TAG _____

Dimensional Data (inches and [mm]) are Subject to Manufacturing Tolerances and Change Without Notice

SPECIFYING ENGINEER IS RESPONSIBLE FOR CONCRETE ENCASEMENT AND REINFORCING BASED UPON APPLICATION AND LOCAL CODES



ENGINEERING SPECIFICATION Zurn Z887-24-HD Catch Basin shall be 23-1/4 [591] wide reveal x 24-5/8 [625] long and 24 [610] deep. Catch basin shall be made of 0% water absorbent High Density Polyethylene (HDPE). Shall mechanically lock into the concrete surround. Basin shall weigh less than 20.0 lbs. [9.1 kg]. Catch basin shall have rebar clips standard to secure basin in its final location. Shall be provided with standard DGC grates that lock down to frame. Zurn 22-1/4 [565] wide reveal Ductile Iron Slotted Grate conforming to ASTM specification A536-84, Grade 80-55-06. Ductile Iron grate is rated class C per the DIN EN1433 top load classifications. Supplied in 24 [608] nominal lengths with 11/16 [17] wide slots, and 2-1/2 [64] bearing depth. Grate has an open area of 164.00 sq. in per ft. The 1/4 [6] thick Heavy-Duty Frame Assembly conforms to either ASTM specification A36 or A536-84, with 4 - 4 [102] long concrete anchors per basin. The frame is supplied with a powder coated finish. All welds must be performed by a certified welder per ASTM standard AWS D1.1. Frames Shall be produced in the U.S.A.

PREFIX OPTIONS (Check/specify appropriate options)

___ Z High Density Polyethylene (HDPE) Catch Basin with Heavy-Duty Frame*

SUFFIX OPTIONS (Check/specify appropriate options)

Adapters

- ___ -E3/U3 3 [76] No-Hub End/Bottom Outlet Adapter
- ___ -E4/U4 4 [102] No-Hub End/Bottom Outlet Adapter
- ___ -E6/U6 6 [152] No-Hub End/Bottom Outlet Adapter
- ___ -IA Inlet Adapter (Z886)
- ___ -IA Inlet Adapter (Z882)

Grate Options (Load Classifications are per DIN EN1433)

- ___ -BDC Black Acid Resistant Epoxy Coated Ductile Grate – Class C
- ___ -BDF Black Acid Resistant Ductile Grate – Class F
- ___ -DGC Ductile Iron Slotted Grate – Class C *
- ___ -DGF Ductile Iron Slotted Grate – Class F
- ___ -GDC Galvanized Ductile Slotted Grate – Class C
- ___ -GDF Galvanized Ductile Grate – Class F
- ___ -GG Fiberglass Grate - Class A

Miscellaneous Options

- ___ -EXT 12 [305] Body Extension
- ___ -Y Sediment Bucket
- ___ -CBF Black Acid Resistant Coated Frame
- ___ -GFA Galvanized Extra-Heavy-Duty Frame with Anchor Studs
- ___ -SF Type 304 Stainless Steel Top Frame

MADE in the U.S.A. (Load Classifications are per DIN EN1433)

- ___ -FG Galvanized Steel Slotted Grate - Class A
- ___ -FS Stainless Steel Slotted Grate - Class A
- ___ -PG Galvanized Perforated Grate - Class A
- ___ -PS Stainless Steel Perforated Grate - Class A
- ___ -RFG Reinforced Galvanized Steel Slotted Grate - Class B
- ___ -RFS Reinforced Stainless Steel Slotted Grate - Class B
- ___ -RPG Reinforced Galvanized Perforated Grate - Class B
- ___ -RPS Reinforced Stainless Steel Perforated Grate - Class B
- ___ -RPGR Reinforced Stainless Steel Perforated Reverse Punch Anti-slip ADA Grate - Class B
- ___ -RPSR Reinforced Stainless Steel Perforated Reverse Punch Anti-slip ADA Grate - Class B

* Regularly furnished unless otherwise specified.

Supplied By:



877-903-7246

www.trenchdrainsupply.com

Zurn Industries, LLC | Specification Drainage Operation
 1801 Pittsburgh Avenue, Erie, PA U.S.A. 16502 · Ph. 855-663-9876, Fax 814-454-7929
 In Canada | Zurn Industries Limited
 3544 Nashua Drive, Mississauga, Ontario L4V 1L2 · Ph. 905-405-8272, Fax 905-405-1292
www.zurn.com

Rev. C
 Date: 01/28/14
 C.N. No. 130486
 Prod. | Dwg. No. Z887-24-HD